



DRIVEN PERFORMANCE PRODUCTS
WWW.DRIVENRACING.COM
866-5-DRIVEN



06-11 HONDA CB 1000R
PART#: DRP-519



INSTALLATION INSTRUCTIONS



USE BLUE LOCTITE ON ALL MOUNTING BOLTS!
USE LOCTITE ANTI-SEIZE ON THE HEADS OF ALL COUNTERSUNK BOLTS



1. Loosen the jam nut on the top of the shift rod.
2. Remove the shifter by removing the 8mm bolt in the center of the pivot and unscrew the shift rod from the heim joint on the gear change arm.
3. Remove the left side footrest.
4. Unbolt the right side footrest.
5. Remove the rear master cylinder's cotter pin, washer & clevis pin, and unbolt the master cylinder from the footrest.
6. Remove the stock footrest assembly from the right side of the bike.
7. Thread the new shift rod onto the upper heim joint. (leave jam nuts loose)
8. Bolt the lower heim joint of the new shift rod to the bell crank.
9. Bolt the bell crank (DRP-079) in the original shifter location with the bell crank spacer (DRP-119) in between it and the frame.
10. Adjust the vertical shift rod until the bell crank's ear and the gear change arm are close to parallel and tighten jam nuts.
11. Install left frame bracket.
12. Install foot peg onto footrest bracket and adjust eccentric unit to desired location, noting index marks.
13. Bolt the horizontal shift rod's rear heim joint to the shifter.
14. Bolt the master cylinder and the reservoir bracket (DRP-120) to the frame bracket, making sure to fit the clevis to the brake pedal.
15. Adjust clevis to attain desired brake pedal height, tighten clevis jam nut, and install clevis pin and cotter pin.
16. Bolt the exhaust hanger to the frame bracket.
17. Install the right frame bracket.
18. Bolt the reservoir to the new reservoir bracket.
19. Install left and right footrest bracket assemblies in the desired mounting position.
20. Attach forward heim joint of shifter/bell crank shift rod assembly to bell crank in desired location.
21. Adjust the horizontal shift rod to attain desired shifter/foot peg height.
22. Tighten heim joint jam nuts to finalize shifter height.
23. Secure original rear brake lamp switch so it will not become entangled in the rear shock or swing arm.
24. Check torque on all mounting bolts before riding, and again after approximately 20-50 miles to verify.
25. If reverse (GP) shifting is desired, remove the shifter-bell crank shift rod, re-attach in the opposite mounting hole, and adjust shifter height.

DRIVEN REQUIRES THIS PRODUCT TO BE INSTALLED BY A CERTIFIED TECHNICIAN

TOOLS REQUIRED



8mm hex key
6mm hex key
5mm hex key
4mm hex key
10mm end wrench (for jam nuts)
12mm end wrench (for clevis jam nut)
15mm & 22mm sockets and ratchet
3/8" end wrench or adjustable (for new shift rods)
needle-nose pliers (for cotter pin)
blue (#242) Loctite

TORQUE SPECS AND INFO

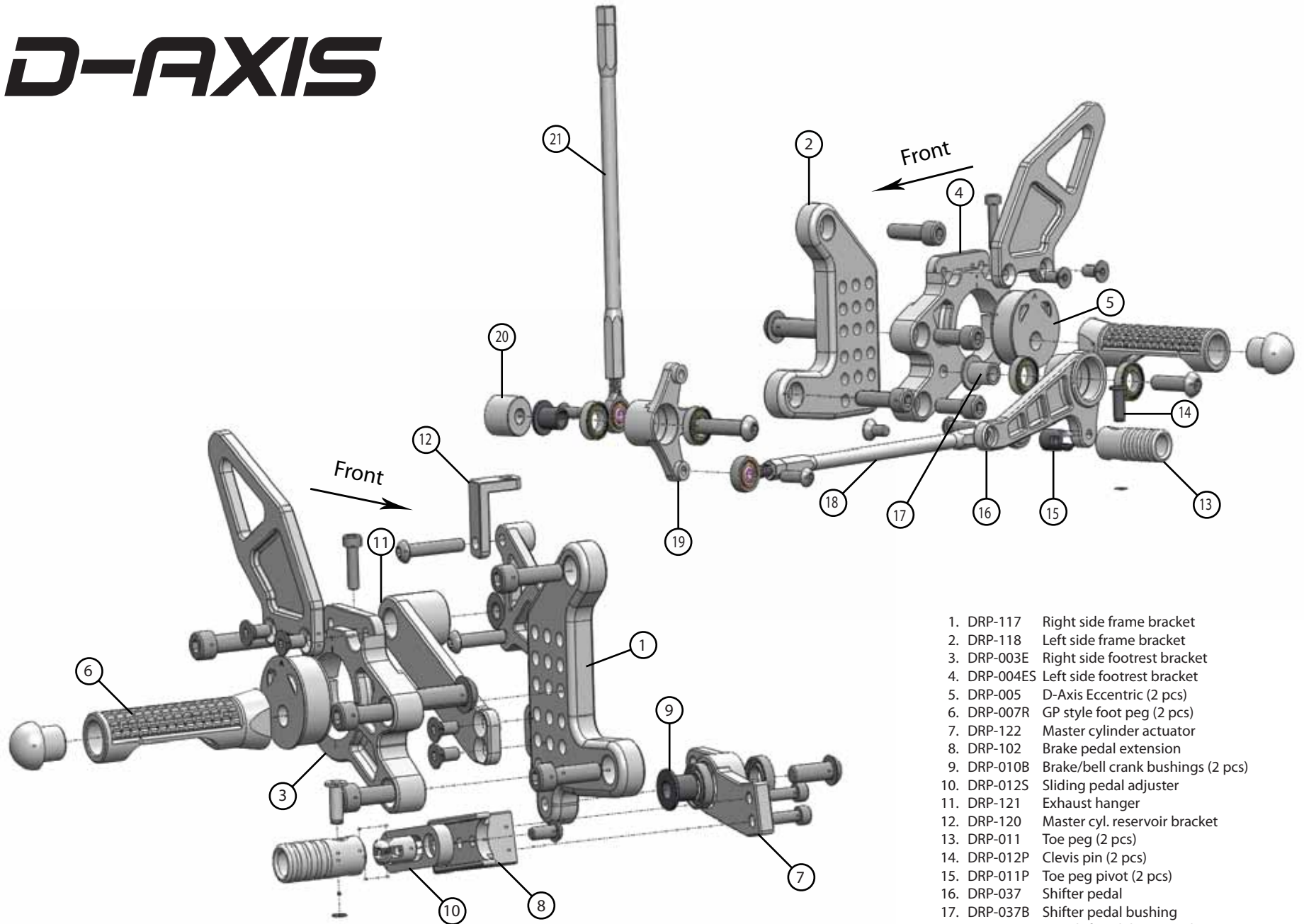


M10x1.5 – 55ft-lb (660in-lb)
M8x1.25 – 20ft-lb (240in-lb)
M6x1.0 – 13ft-lb (156in-lb)
M5x0.8 – 5ft-lb (60in-lb)

*OEM height set at the lowest forward mounting hole with the foot peg set at the zero position.

***FOR OFF ROAD / CLOSED COURSE USE ONLY**

D-AXIS



08-12 HONDA CB 1000R
PART#: DRP-519

1. DRP-117 Right side frame bracket
2. DRP-118 Left side frame bracket
3. DRP-003E Right side footrest bracket
4. DRP-004ES Left side footrest bracket
5. DRP-005 D-Axis Eccentric (2 pcs)
6. DRP-007R GP style foot peg (2 pcs)
7. DRP-122 Master cylinder actuator
8. DRP-102 Brake pedal extension
9. DRP-010B Brake/bell crank bushings (2 pcs)
10. DRP-012S Sliding pedal adjuster
11. DRP-121 Exhaust hanger
12. DRP-120 Master cyl. reservoir bracket
13. DRP-011 Toe peg (2 pcs)
14. DRP-012P Clevis pin (2 pcs)
15. DRP-011P Toe peg pivot (2 pcs)
16. DRP-037 Shifter pedal
17. DRP-037B Shifter pedal bushing
18. DRP-090 6.5" Shift rod (horizontal)
19. DRP-079 Shifter bell crank
20. DRP-119 Bell crank spacer
21. DRP-093 7.0" shift rod (vertical)
22. Exhaust bolt M8 x 30 with nut (not shown)